

POOL
MODEL: 153A

CATALOG NO. 9100.301
Effective: 12-09-08
Replaces: 02-06-07

RAYPAK ILLUSTRATED PARTS LIST

MODEL SIZE: 153A

MODEL TYPE: WHG GEMINI / SPA-PAK

DATE OF MANUFACTURE: 01-01-84 TO 02-15-87

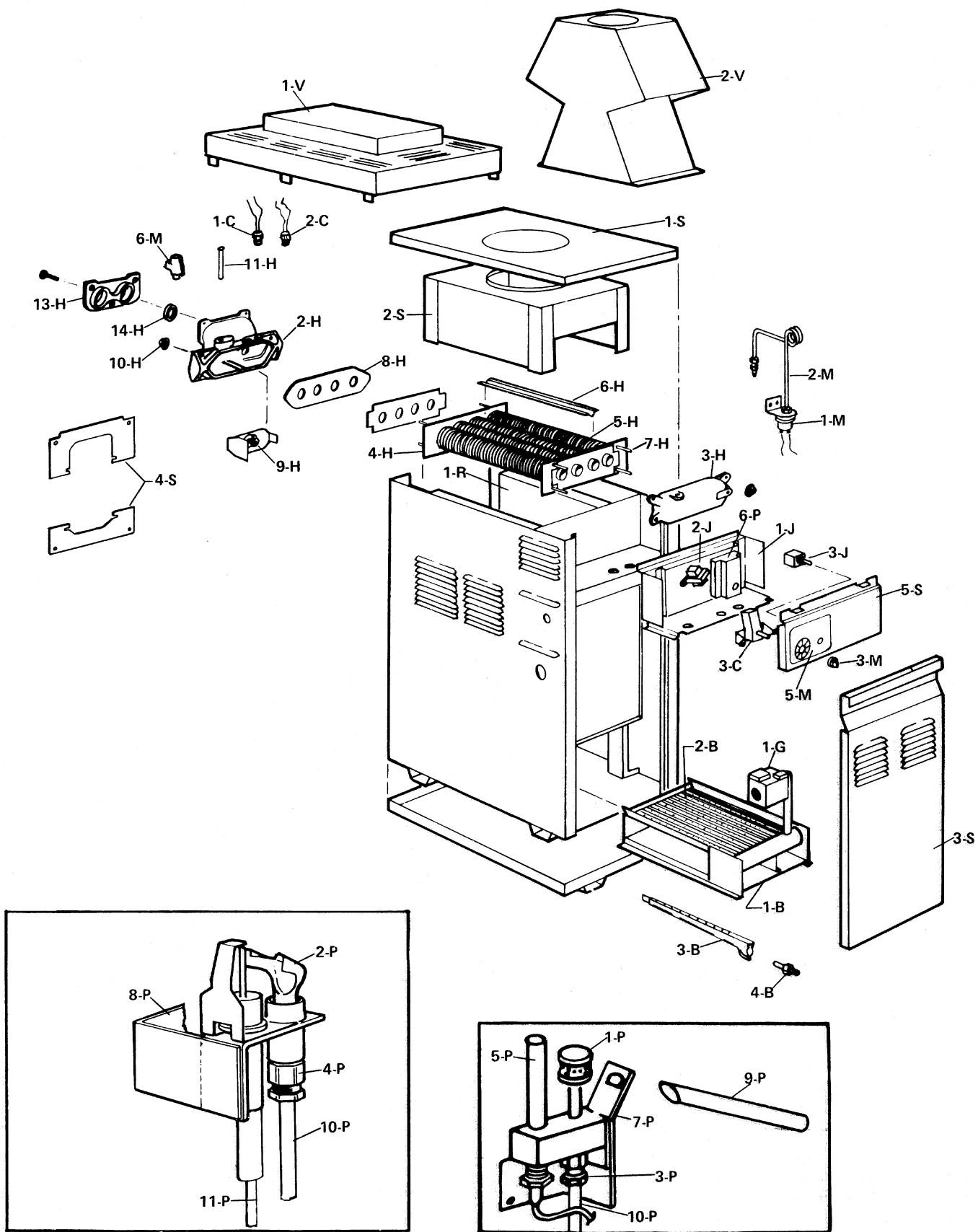
THE PARTS LISTED ARE FOR STANDARD EQUIPMENT FOR THIS MODEL TYPE. RAYPAK RESERVES THE RIGHT TO SUBSTITUTE, DELETE OR CHANGE ANY PART WITHOUT NOTIFICATION. THE ADDITION OF OPTIONS MAY ALSO CHANGE SOME OF THE PARTS. ORDER REPLACEMENT PARTS FROM ACTUAL HEATER COMPONENTS.



FOR DETAILED INSTRUCTIONS, SEE "HOW TO USE YOUR RAYPAK ILLUSTRATED PARTS LIST",
CATALOG NO. 9001.10



Raypak, Inc., 2151 Eastman Avenue, Oxnard, CA 93030
(805) 278-5300 Fax (800) 872-9725
Litho In U.S.A.



| CALL OUT | DESCRIPTION | GEMINI | SPA PAK |
|-----------------|--------------------------------------|---------------|----------------|
| B | BURNER TRAY** | | |
| 1-B | Burner Tray w/Burners (Sea Level)* | 001989F | 001989F |
| | Burner Tray w/o Burners (Sea Level)* | 001990F | 001990F |
| 2-B | Burner Hold Down Kit | 001991F | 001991F |
| 3-B | Burner | 301210/10 | 301210/10 |
| 4-B | Burner Orifice Nat. #51 (Sea Level)* | 350080/10 | 350080/10 |
| | Burner Orifice Pro. #57 (Sea Level)* | 350083/10 | 350083/10 |
| C | CONTROLS | | |
| 1-C | High Limit 135°F | 600892B | 600892B |
| 2-C | High Limit 140°F | 600893B | 600893B |
| 3-C | Thermostat Control | 003346F | 003346F |
| G | GAS VALVE | | |
| 1-G | Combination Valve 1/2" Nat. | 003898F | 003898F |
| | Combination Valve 1/2" Pro. | 003899F | 003899F |
| | Combination Valve 1/2" Nat. IID | 003900F | 003900F |
| H | HEAT EXCHANGER | | |
| 1-H | Heat Exchanger Assy. (Complete) | N/A | N/A |
| 2-H | Inlet/Outlet Header | N/A | N/A |
| 3-H | Return Header | N/A | N/A |
| 4-H | Tube Bundle | 002439F | 002439F |
| 5-H | Heat Exchange Tube | 002440F | 002440F |
| 6-H | Baffle Kit | 002000F | 002000F |
| 7-H | Bolt Kit | 001056F | 001056F |
| 8-H | Header Gasket | 800075B | 800075B |
| 9-H | Unitherm Governor | 053242B | 053242B |
| 10-H | Drain Valve | 500719 | 500719 |
| 11-H | Sensor Well | 007211F | 007211F |
| 12-H | Well Retaining Clip | 300203 | 300203 |
| 13-H | Inlet/Oulet Flange | 002432F | 002432F |
| 14-H | Flange Gasket | 800013B | 800013B |
| J | J-BOX (CONTROL BOX) | | |
| 1-J | Control Box (IID Unit) | N/A | N/A |
| 2-J | Transformer 120/240/24V | 006736F | 006736F |
| 3-J | Toggle Switch (Single Thermostat) | 650761 | 650761 |
| | Toggle Switch (Dual Thermostat) | 650553F | N/A |
| M | MISCELLANEOUS COMPONENTS | | |
| 1-M | Pressure Switch | 062237B | 062237B |
| 2-M | Pressure Switch Tube Assy. | 003271F | 003271F |
| 3-M | Thermostat Knob | 006885F | 006885F |
| 4-M | Knob Stop | 006886F | 006886F |
| 5-M | Dial Plate | N/A | N/A |
| 6-M | PRV 125 PSI | 008091F | 008091F |
| 7-M | Deliming Kit | 052870F | 052870F |

*FOR ALTITUDES ABOVE 2,000 FEET ABOVE SEA LEVEL, CONSULT THE FACTORY.

**REPLACEMENT BURNER TRAYS ARE BUILT FOR SEA LEVEL, NATURAL GAS APPLICATIONS UNLESS OTHERWISE SPECIFIED AT THE TIME THE ORDER IS PLACED.

| CALL OUT | DESCRIPTION | GEMINI | SPA PAK |
|----------|---------------------------------------|---------|---------|
| P | PILOT | | |
| 1-P | Pilot Nat. Standing | 600525B | 600525B |
| | Pilot Pro. Standing | 600575B | 600575B |
| 2-P | Pilot Nat. IID | 002003F | 002003F |
| 3-P | Pilot Orifice Nat. Standing | 003901F | 003901F |
| | Pilot Orifice Pro. Standing | 003902F | 003902F |
| 4-P | Pilot Orifice Nat. IID | 003903F | 003903F |
| 5-P | Pilot Generator (Standing Pilot Only) | 600019B | 600019B |
| 6-P | Ignition Control (IID Pilot Only) | 004817B | 004817B |
| 7-P | Pilot Mounting Bracket Standing | 006054F | 006054F |
| 8-P | Pilot Mounting Bracket IID | 006055F | 006055F |
| 9-P | Lighter Tube (Standing Pilot Only) | 052797 | 052797 |
| 10-P | Pilot Tube | 004078F | 004078F |
| 11-P | Hi Tension Wire | 006088B | 006088B |
| R | REFRACTORY | | |
| 1-R | Refractory Kit | 000992F | 000992F |
| 2-R | Refractory Retainer Kit | 002006F | 002006F |
| S | SHEETMETAL | | |
| 1-S | Jacket Top | 002007F | 002007F |
| 2-S | Flue Collector | 002008F | 002008F |
| 3-S | Door Assy. | 002010F | 002010F |
| 4-S | Access Panel Group | N/A | N/A |
| 5-S | Control Panel | N/A | N/A |
| V | VENTING | | |
| 1-V | Stackless Top Kit (Outdoor) | 003710 | 003710 |
| 2-V | Draft Hood Kit (Indoor) | 003723 | 003723 |

| CONVERSION KIT** | |
|-----------------------------|---------|
| Nat. to Pro. Standing Pilot | 004690B |
| Pro. to Nat. Standing Pilot | 004691F |
| Nat. to Pro. Electric Pilot | N/A |

**Gas conversions are to be done only by a qualified agency.
For gas conversions, consult the factory.



www.raypak.com